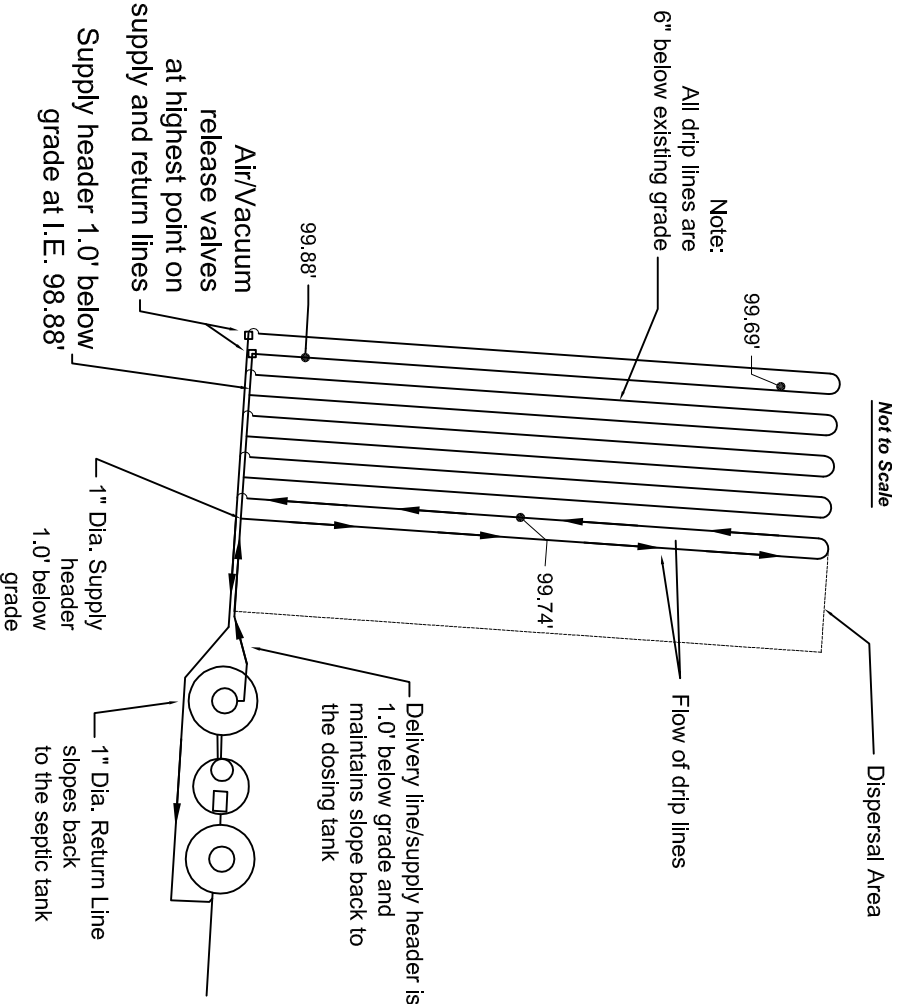
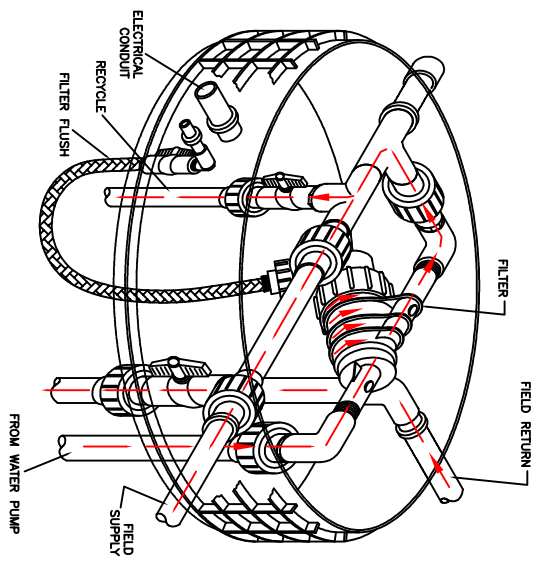


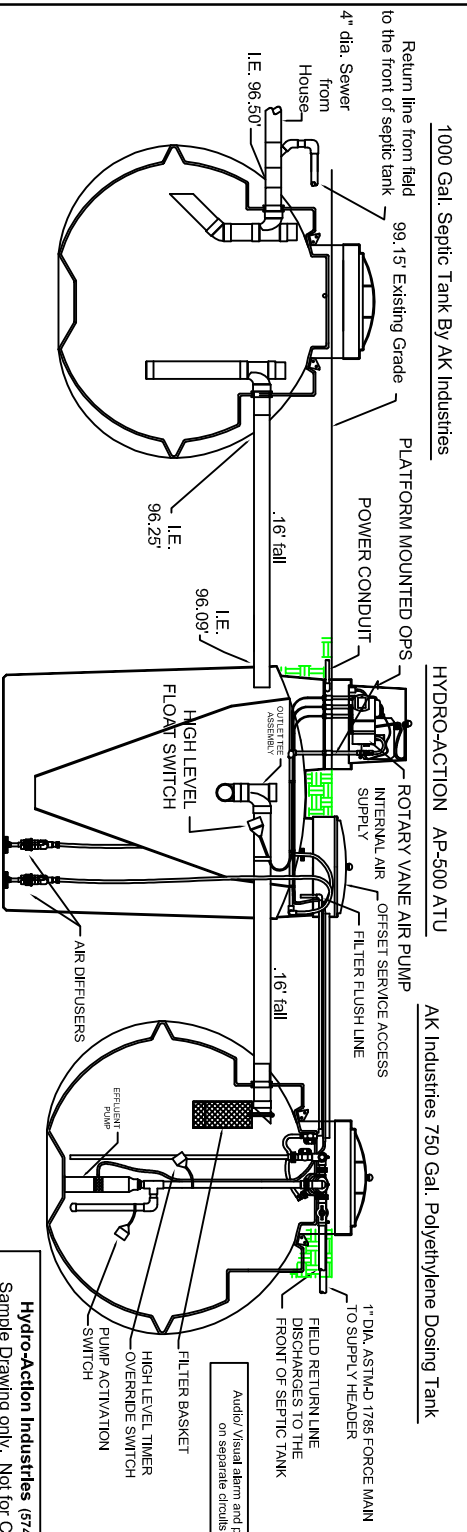
Not to Scale



Turtle Drip AQ-200



- Supply line must include a ball valve to "Throttle down" the pump to meet the hydraulic demands of the system
- Return line must also have a ball valve and include a flow meter and a pressure gauge/regulator.
- Controls for the return line may be housed inside turtle drip riser but the line must discharge to the front of the septic tank.



Audible Visual alarm and pump are on separate circuits

Hydro-Action Industries (574-336-2542)
 Sample Drawing only. Not for Construction
 Sample County

DATE	CHANGE
MEADE SEPTIC DESIGN Inc.	
WWW.SEPTICDESIGN.COM	
Stuart J. Meade stuart@septicdesign.com	
312 River Vista Drive Goshen, IN 46526-4830	
574.533.1470 Cell 574.215.9289 Fax 574.534.8687	
DATE 05/12/09	HYDRO2_DRIP_2190.DWG
No Scale	PG 2/3 Job# 2190

All measurements must be confirmed by the excavator prior to installation. Surface inspection shows no signs of builded obstructions. Copyright 2009 Meade Septic Design Inc.